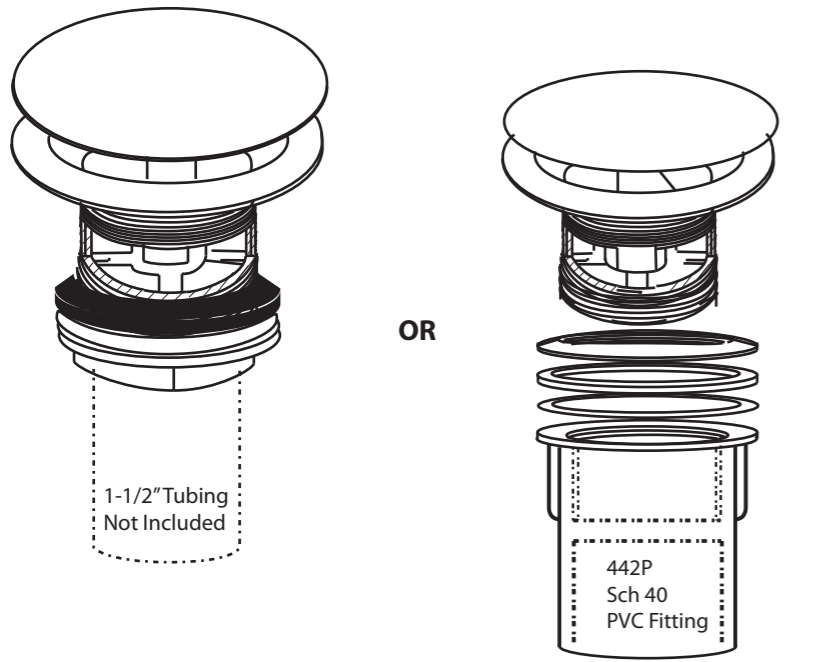
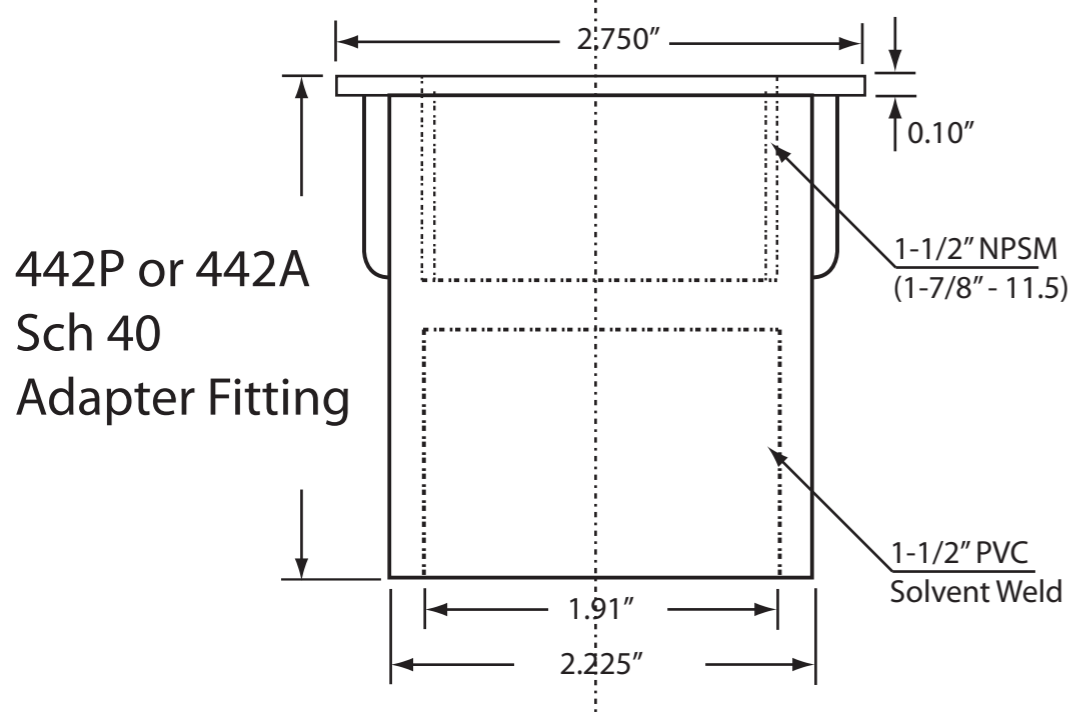
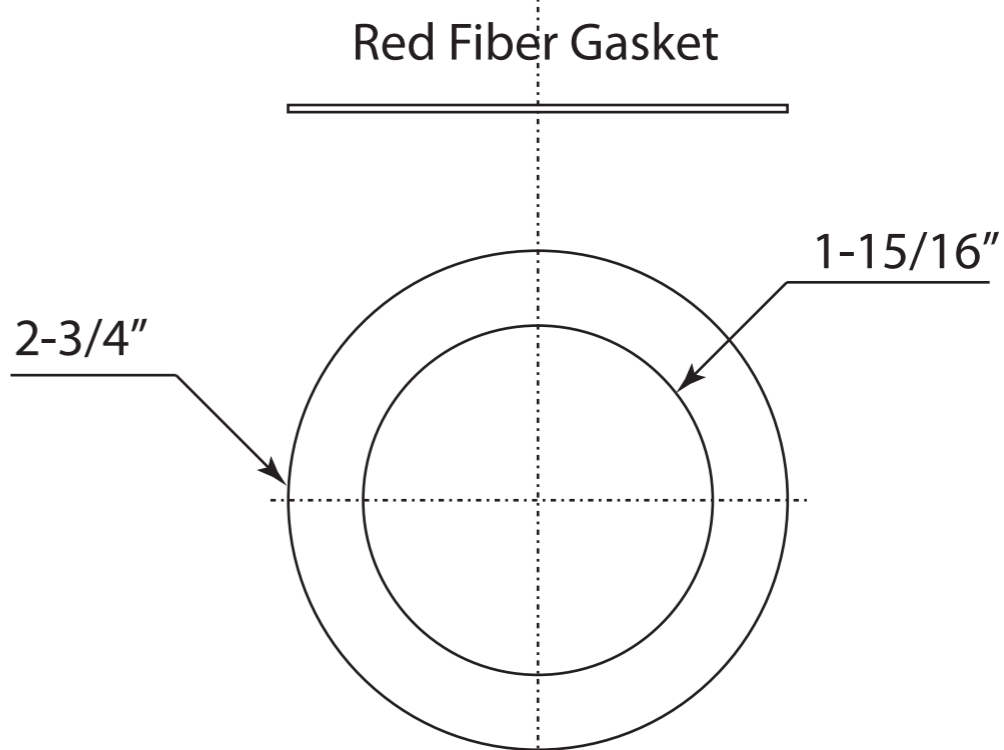
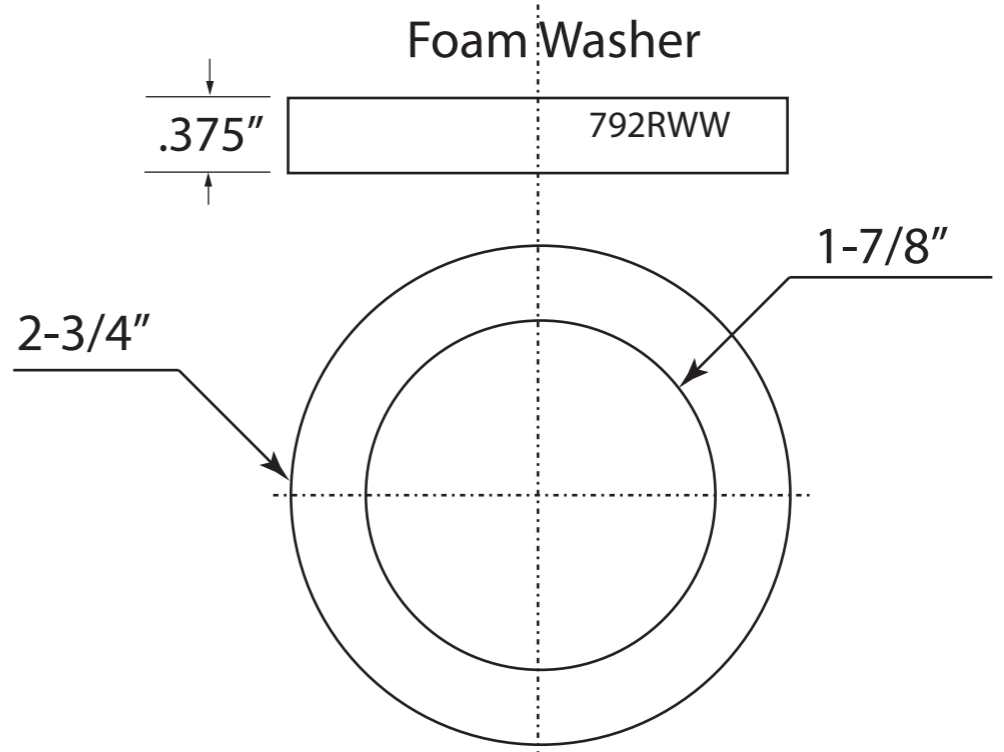
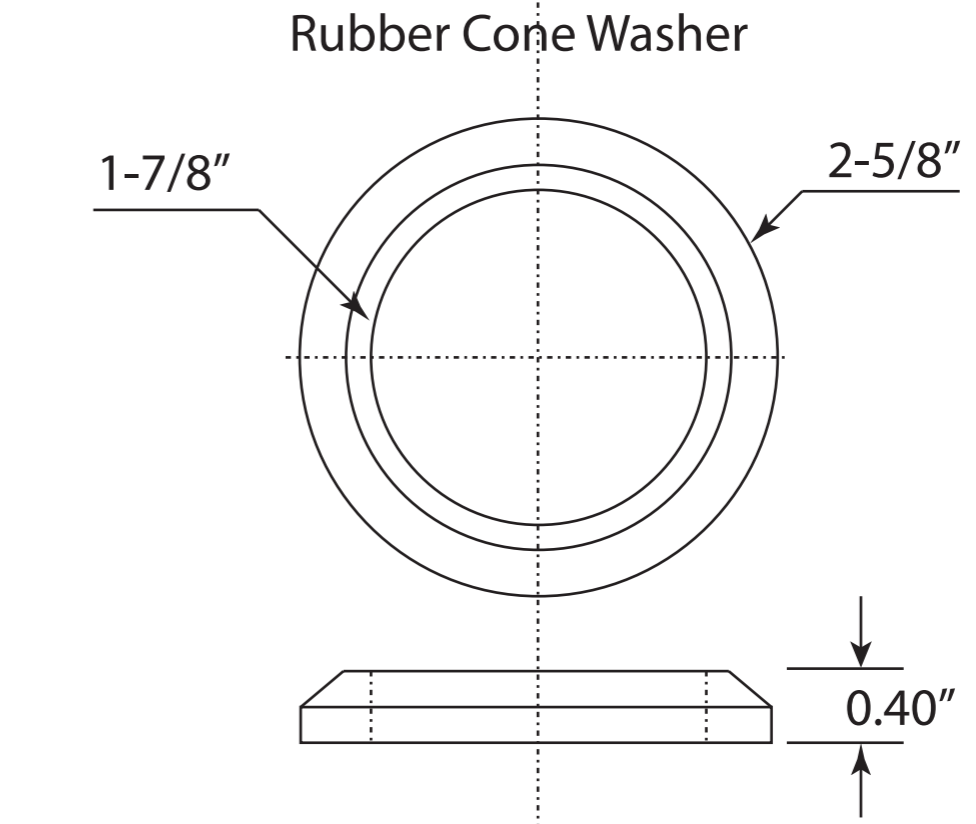
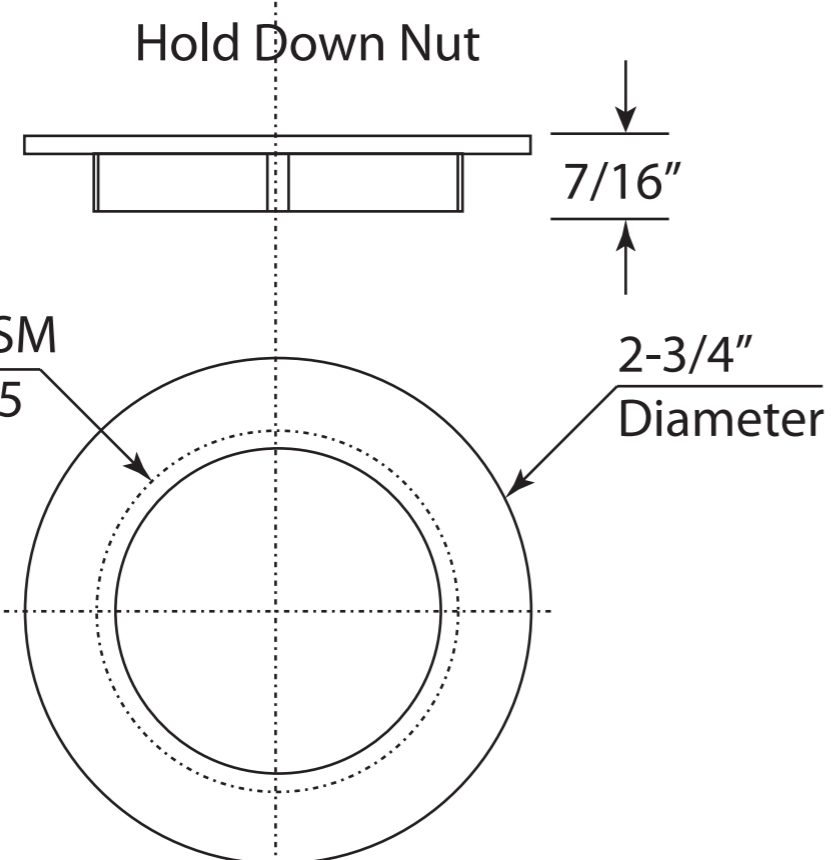


1.51"-27 UNF-2B
(1-1/2" Tubular)
45 deg. Chamfer



WESTBRASS Fine Decorative Plumbing Since 1935		2429 E. Olympic Blvd. Los Angeles, CA 90021	
TITLE Brass Tip-Toe Strainer for Integral Overflow Tubs PVC			
DWG NO. D98LTBPA	DATE 11-18-2017	REV D	
Scale NTS	mrohfs	Sheet 1 of 1	